

ROYSON ENGINEERING COMPANY

CTV-IS BOWL TYPE VIBRATORY FINISHER WITH RISING CHANNEL
 130 N. PENN ST. HATBORO, PA. 19040 PHONE#215-675-2800 FAX#215-675-3035
 BULLETIN #337

8-CTV-IS

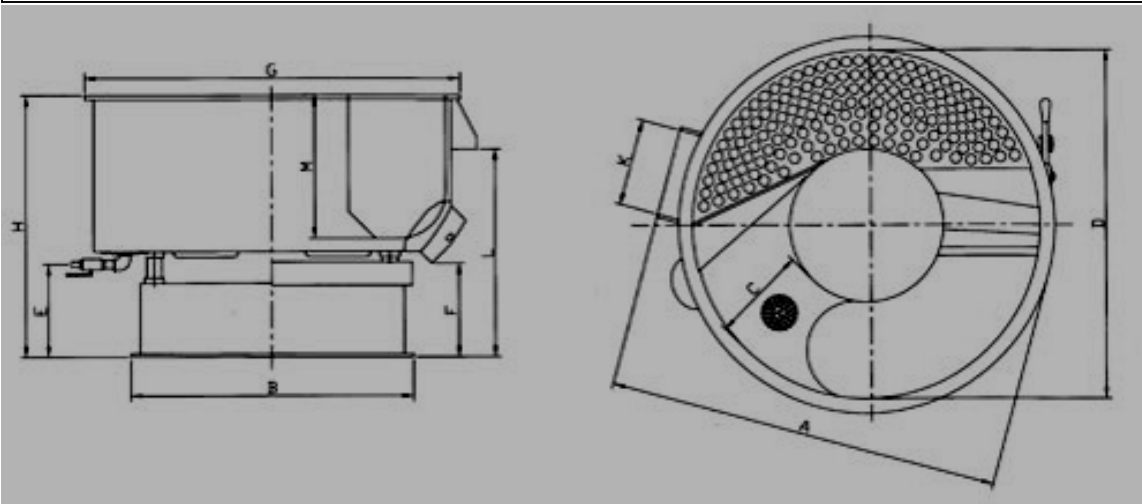


PNEUMATIC RAMP

SOUND HOOD

RAMP & SCREEN

CONSOLE & PUMP



DIM. IN.	A	B	C	D	E	F	G	H	K	L	M	WEIGHT
8-CTV-IS	55	42	13.3	47.6	12	13.7	52	42	12	32	20	1475 LB.

FEATURES:

- CONTROL PANEL WITH VARIABLE SPEED, DOSING PUMP, 208/240/460/3/60 VOLT
- 4 HP, MEDIA UNLOAD DOOR, PNEUMATIC UNLOAD RAMP, SOUND HOOD

CopyrightRoyson 2010