

# ROYSON ENGINEERING COMPANY

30-CTV FLAT BOTTOM BOWL VIBRATORY FINISHER NO SEPARATION  
 130 N. PENN ST. HATBORO, PA. 19040 PH# 215-675-2800 FAX#215-675-3035

BULLETIN #446



## 30-CTV



CONSOLE

UNLOAD DOOR

DRAIN

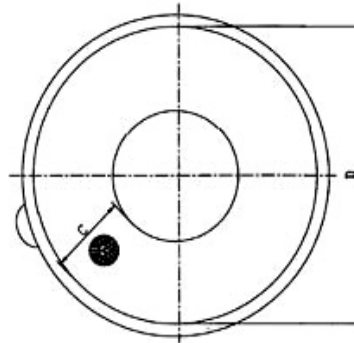
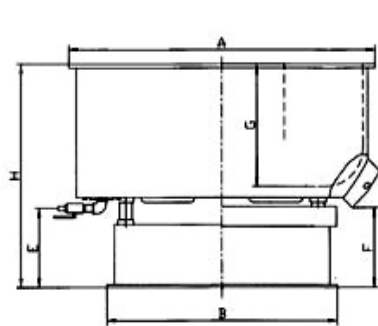
SOUND HOOD



### FEATURES:

- CONTROL PANEL VARIABLE SPEED
- 14.7 HP, 208/240/460/3/60
- MEDIA UNLOAD DOOR
- POP OUT REMOVABLE DRAIN
- URETHANE TUB LINER
- COMPOUND PUMP

OPTIONAL  
 AIR OPERATED  
 SOUND HOOD



### DIMENSIONS

INCHES	A	B	C	D	E	F	G	H	WEIGHT
30-CTV	78.7	63	20.4	73	12	12	29.5	48.8	4850LB.

COPYRIGHT ROYSON 2010