

ROYSON ENGINEERING COMPANY

15-CTV FLAT BOTTOM BOWL VIBRATORY FINISHER NO SEPARATION
 130 N. PENN ST. HATBORO, PA. 19040 PH# 215-675-2800 FAX#215-675-3035
 BULLETIN #444



15-CTV



CONSOLE

UNLOAD DOOR

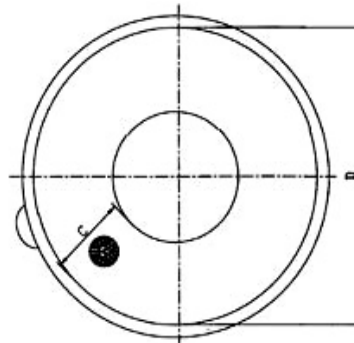
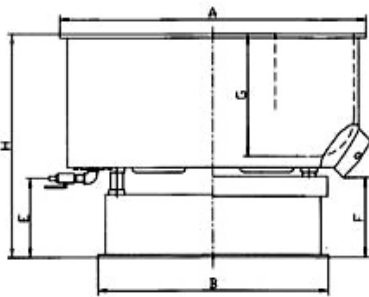
DRAIN

SOUND HOOD



FEATURES:

- CONTROL PANEL VARIABLE SPEED
- 5.3 HP, 208/240/460/3/60
- MEDIA UNLOAD DOOR
- POP OUT REMOVABLE DRAIN
- URETHANE TUB LINER
- COMPOUND PUMP
- PNEUMATIC SOUND HOOD



DIMENSIONS

INCHES	A	B	C	D	E	F	G	H	WEIGHT
15-CTV	60	48.3	15.7	55	12	12	20	40.3	2200LB.

COPYRIGHT ROYSON 2010